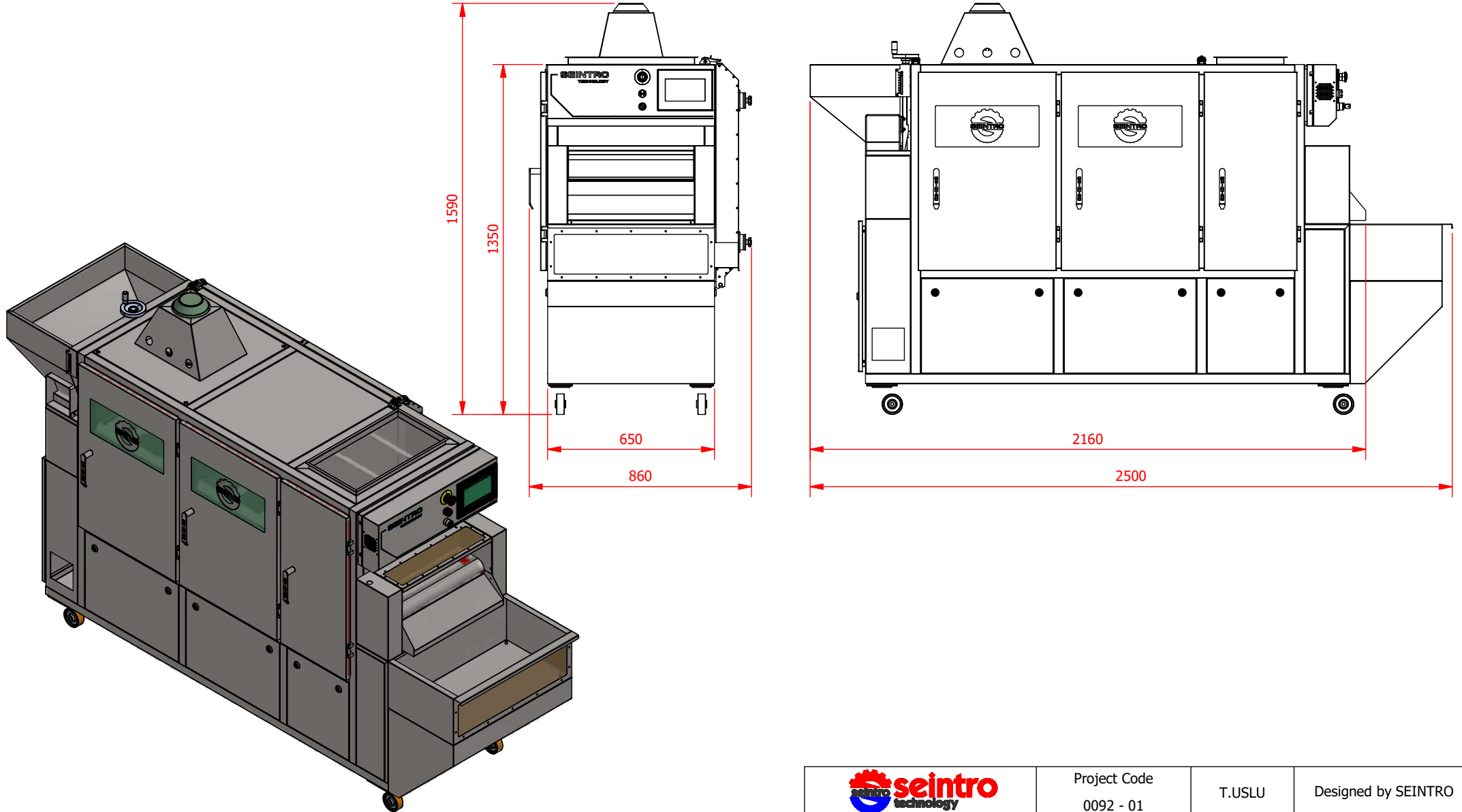


## DIMENSIONS SF - 2000 + COOLING SECTION

DOKÜMAN NO	23.09.2020- 1
İLK YAYIN TARİHİ	23.09.2020
REVİZYON TARİHİ / NO	
SAYFA NO	1



Project Code  
0092 - 01

T.USLU

Designed by SEINTRO